

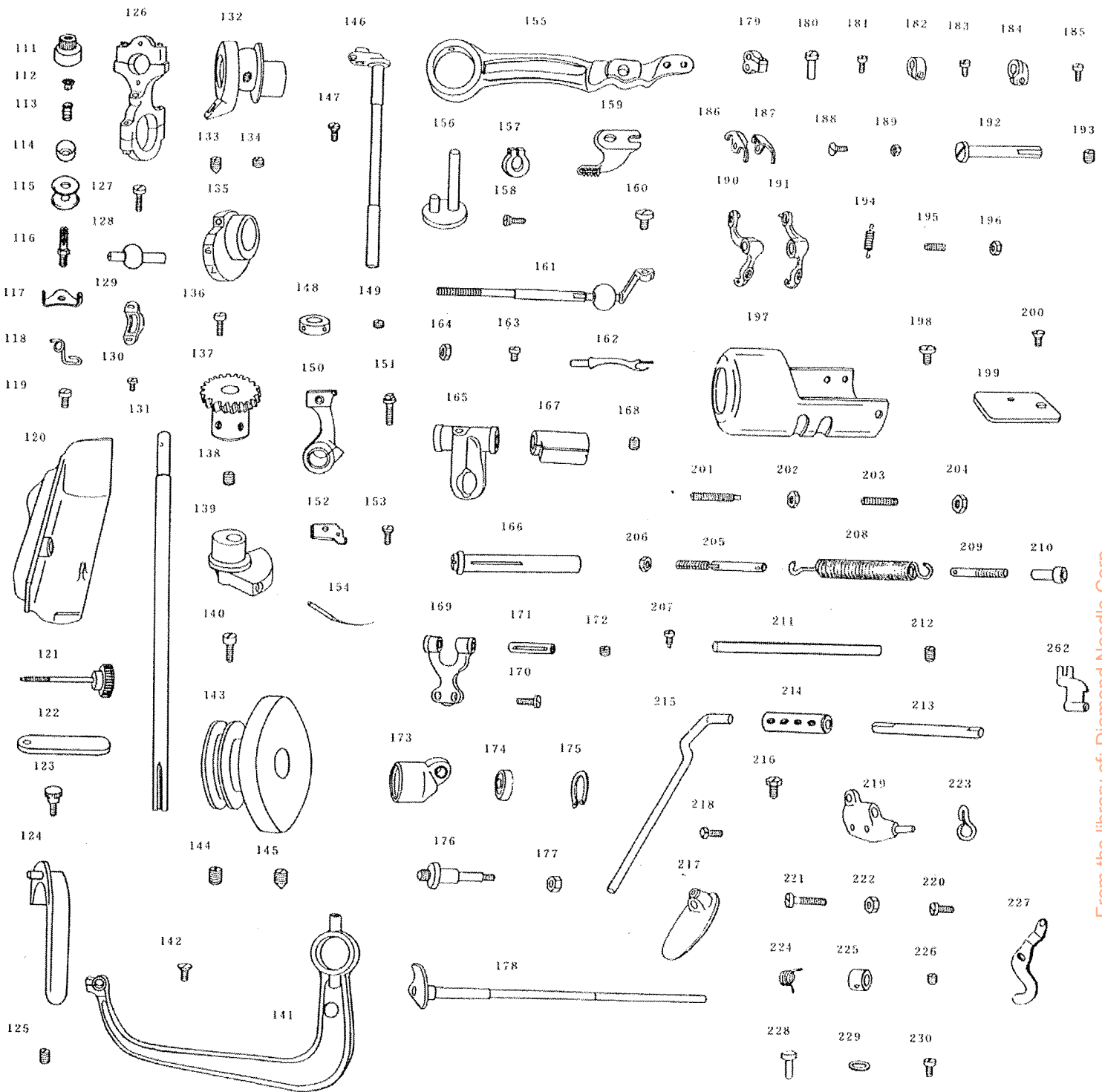
CONSEW[®]
CONSOLIDATED SEWING MACHINE CORP.

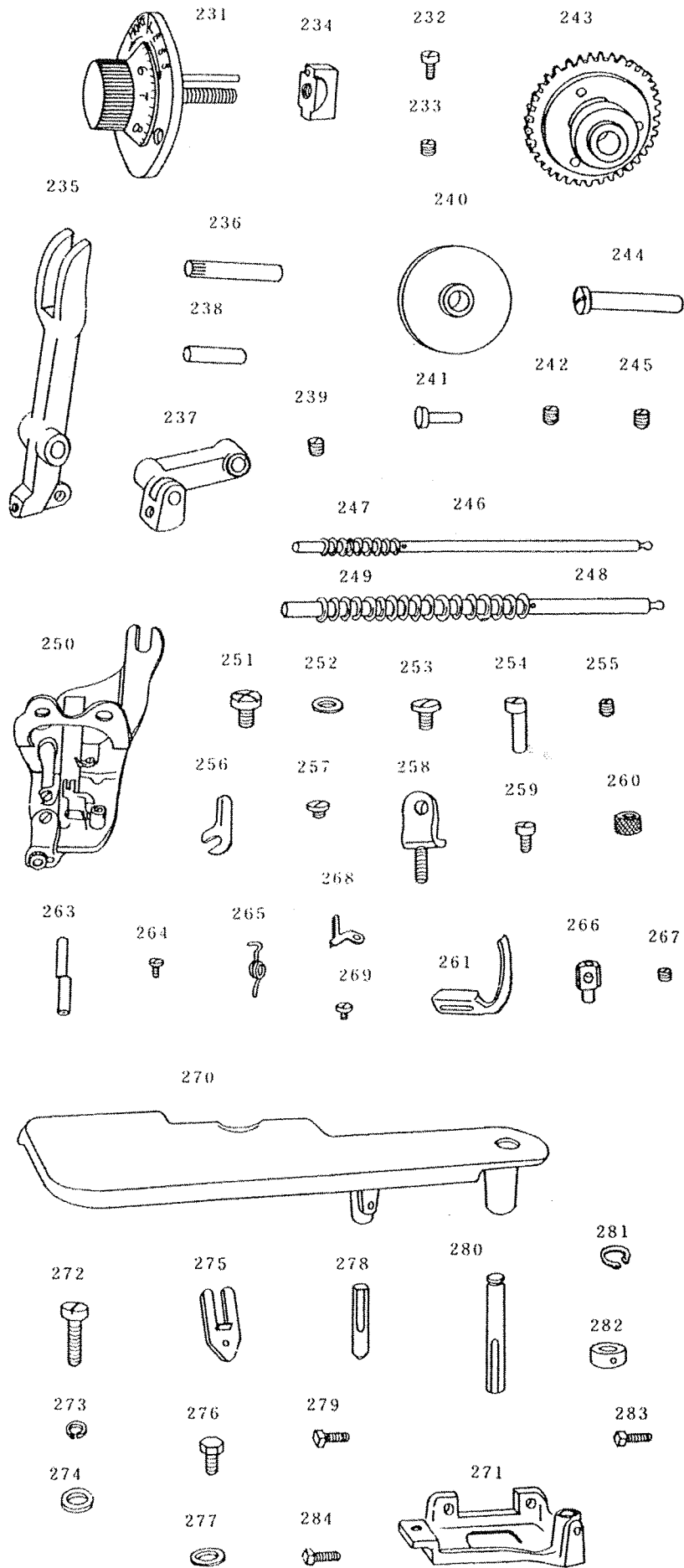
MODEL
817
BLINDSTITCH

PARTS BOOK

PARTS LIST

PART NO.	DESCRIPTION	PART NO.	DESCRIPTION
111	Thread Tension Nut	198	Screw-Cylinder Attaching
112	Ratchet	199	Window Plate
113	Spring	200	Screw-Window Plate Attaching
114	Cover	201	Screw-Feed Frame-Limit
115	Tension Discs	202	Nut-Feed Frame Limit Screw-Lock
116	Tension Post	203	Screw-Skip Stitch Compensating
117	Thread Guide	204	Nut-Skip Stitch Compensating Screw-Lock
118	Front Thread Guide	205	Spring Link Assembly
119	Screw-Front Thread Guide Attaching	206	Nut-Spring Link Assembly-Retaining
120	Side Cover	207	Screw-Spring Link-Locating
121	Screw-Side Cover Attaching	208	Main Spring
122	Cover Plate	209	Link Screw-Main Spring
123	Screw-Cover Plate Attaching	210	Nut-Main Spring Adjusting
124	Belt Guard	211	Shaft-Feed Frame Rocker
125	Screw-Belt Guard Set	212	Screw-Feed Frame Shaft-Set
126	Needle Shaft Connection	213	Knee Lifter Rod Shaft
127	Screw-Needle Connection	214	Knee Lifter Rod Sleeve
128	Eccentric Ball Stud	215	Knee Lifter Rod
129	Eccentric Ball Guard	216	Knee Lifter Rod Sleeve Screw
130	Screw-Eccentric Ball Guard Attaching	217	Knee Pedal
131	Main Shaft	218	Screw-Knee Pedal-Lock
132	Needle and Feed Eccentric	219	Lift Arm
133	Screw-(Cone Point) Feed Eccentric Set	220	Screw-Lift Arm Clamp
134	Screw-(Flat) Eccentric Set-Lock	221	Screw-Lift Arm Limit
135	Stitch Regulating Collar	222	Nut-Lift Arm Limit Screw-Lock
136	Screw-Stitch Regulating Collar-Clamp	223	Knee Lifter Stop Bracket Hook
137	Gear-Skip Stitch Drive	224	Spring-Knee Lifter Rod-Return
138	Screw-Skip Stitch Drive Gear Set	225	Collar-Knee Lifter Rod
139	Rib Connection Eccentric	226	Screw-Knee Lifter Rod Collar-Set
140	Screw-Rib Lever Eccentric Lock	227	Lever-Skip Regulating
141	Rib Connection Lever	228	Stud-Skip Regulating Lever
142	Screw-Rib Connecting Lever Clamp	229	Spring Washer-Skip Regulating Lever Stud
143	Hand Wheel	230	Screw-Skip Regulating Lever Stud-Lock
144	Screw-Handwheel Set (Cup Point)	231	Regulating Dial Assembly
145	Screw-Handwheel Set (Cone Point)	232	Screw-Regulating Dial Assembly Attaching
146	Needle Shaft	233	Screw-Dial & Ratchet Assembly-Lock
147	Screw-Needle Shaft Clamp	234	Regulating Dial Shoe
148	Collar-Needle Shaft	235	Regulating Fork
149	Screw-Needle Shaft Collar Set	236	Pin-regulating Fork-Pivot
150	Needle Lever	237	Support Arm-Cam Roller
151	Screw-Needle Lever Clamp	238	Pin-Roller Support Arm-Pivot
152	Needle Clamp	239	Screw-Roller Support Arm Pivot Pin-Set
153	Screw-Needle Clamp Attaching	240	Cam Roller
154	Needle	241	Pin-Cam Roller-Support
155	Feed Lever	242	Screw-Cam Roller Support Pin-Set
156	Rocker Pin Assembly	243	Skip Eccentric Gear Assembly
157	Collar-Rocker Pin	244	Carrier Stud-Skip Eccentric Gear
158	Screw-Rocker Pin Collar-Clamp	245	Screw-Skip Eccentric Gear Carrier Stud-Set
159	Feed Dog	246	Push Rod (1/4")
160	Screw-Feed Dog-Attaching	247	Spring-Push Rod (1/4")
161	Looper Rod	248	Push Rod (3/8")
162	Looper	249	Spring-Push Rod (3/8")
163	Screw-Looper Clamp	250	Complete Presserfoot Assembly
164	Nut-Looper Rod-Lock	251	Screw-Presserfoot Clamp
165	Looper Rod Carrier	252	Washer-Presserfoot Clamp Screw
166	Stud-Looper Rod Carrier	253	Screw-Presserfoot Bridge
167	Eccentric Block	254	Eccentric Pin
168	Screw-Eccentric Block-Set	255	Screw-Eccentric Pin Set
169	Looper Rod Fork	256	Needle Guide
170	Screw-Looper Rod Fork-Clamp	257	Screw-Needle Guide-Attaching
171	Looper Rod Fork Pin	258	Holder-Front Guide
172	Screw-Looper Rod Fork Pin-Set	259	Screw-Front Guide Holder-Attaching
173	Bearing Case	260	Nut-Front Guide Clamp
174	Bearing	261	Front Guide
175	Retaining Ring-Bearing	262	Shoe-Presser Foot
176	Stud-Looper Rod Sleeve	263	Pivot Pin-Presserfoot Shoe
177	Nut-Looper Rod Sleeve Stud	264	Screw-Pivot Pin
178	Rib Shaft	265	Spring-Presserfoot Shoe
179	Crank-Rib Shaft	266	Shoe Post
180	Stud-Rib Shaft Crank	267	Screw-Presserfoot Shoe Pivot Pin-Set
181	Screw-Rib Shaft Crank-Clamp	268	Chain-Off Pin
182	Rib Shaft Collar-Left	269	Screw-Chain-Off Pin Clamp
183	Screw-Rib Shaft Collar-Clamp	270	Swing Plate
184	Rib Shaft Collar-Right	271	Bracket-Swing Plate-Support
185	Screw-Rib Shaft Collar-Clamp	272	Screw-Swing Plate Support Bracket-Attaching
186	Platten-Left	273	Washer (Lock)-Swing Plate Supp't.Brkt.Screw
187	Platten-Right	274	Washer (Flat)-Swing Plate Supp't.Brkt.Screw
188	Screw-Platten to Bracket-Attaching	275	Stop Plate
189	Nut-Platten to Bracket Attaching Screw	276	Screw-Stop Plate Attaching
190	Platten Bracket-Left	277	Wash-Stop Plate Attaching Screw
191	Platten Bracket-Right	278	Stop Pin Assembly
192	Stud-Platten Bracket Pivot	279	Screw-Stop Pin-Lock
193	Screw-Platten Bracket Pivot Stud-Set	280	Pivot Pin -Swing Plate
194	Spring-Platten Bracket	281	Retaining Ring-Swing Plate Pivot Pin
195	Screw-Platten Bracket-Limit	282	Collar-Swing Plate Pivot Pin
196	Nut-Platten Bracket Limit Screw-Lock	283	Screw-Swing Plate Pivot Pin Collar-Set
197	Cylinder	284	Screw-Swing Plate Pivot Pin-Lock





Consolidated Sewing Machine Corp.

Website: www.consew.com

MAIN office

131 W. 25th Street
New York, NY 10001
Tel: 212-741-7788
Fax: 212-741-7787
e-mail: consew@att.net

Miami, FL

4013 N.W. 79th Avenue
Miami, FL 33166
Tel: 305-471-0200
Fax: 305-471-0243
e-mail: miamisales@consew.com

Los Angeles, CA

2320 South Hill Street
Los Angeles, CA 90007
Tel: 213-745-8844
Fax: 213-745-8855
e-mail: lasales@consew.com